



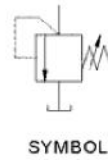
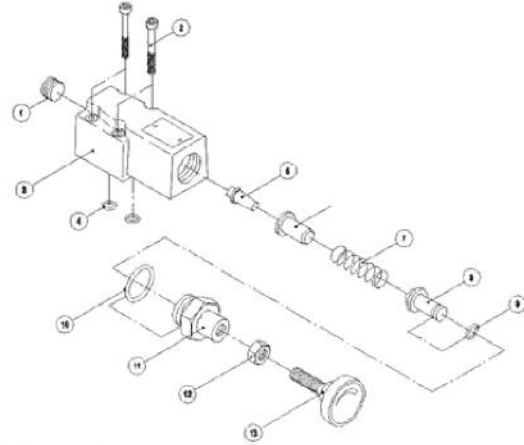
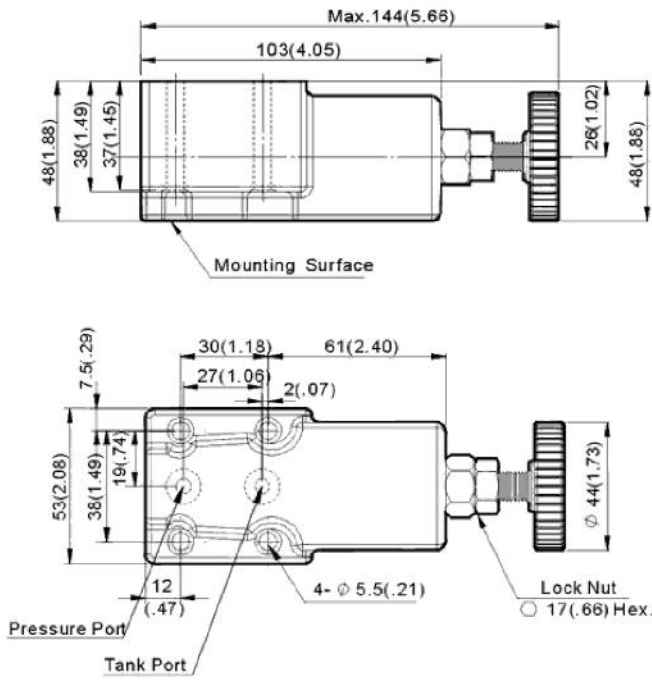
Bell Hydromatics

Remote Control Relief Valves

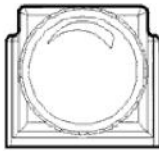


Subplate Type

Remote Control Relief Valves(Sub-Plate Type)



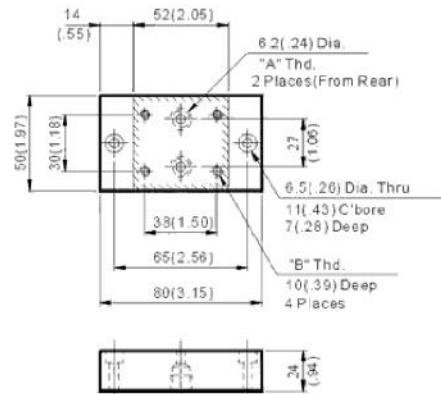
INC.



Valve Specifications & Attachment

Flow Rating	2 lpm (0.52 gpm)
Max. Pressure	250 bar (3600 psi)
Weight kg(lbs.)	1.4 (3.1)
CODE:20	M5 X45LgX4pcs
CODE:2090	10-24UNCX1-3/4"LgX4pcs
Mounting Surface O-Ring P9 x 2 pc	

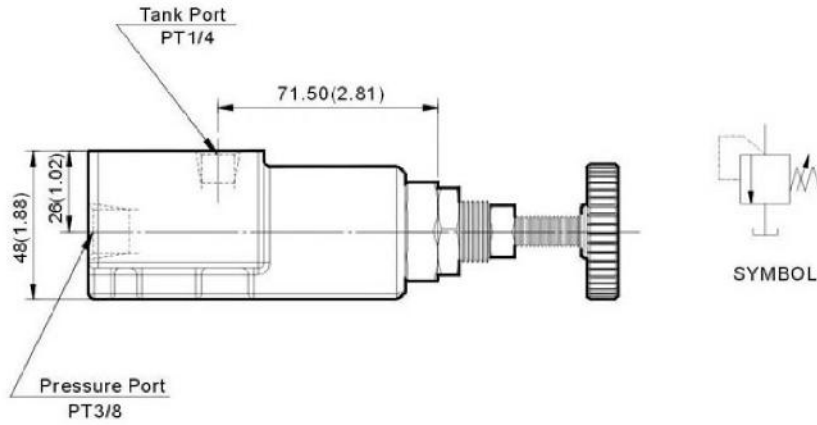
DGM-01



Model	A Thd.	B Thd.
DGM-01-20	PT1/4	M5
DGM-01-2090	NPT1/4	No. 10-24 UMC

Threaded Type

Remote Control Relief Valves(Threaded Type)



Valve Specifications & Attachment

Flow Rating	2 lpm (0.52 gpm)
Max. Pressure	250 bar (3600 psi)
Weight kg(lbs.)	1.6 (3.5)
CODE:20	1/4 PT
CODE:2090	1/4 NPT

